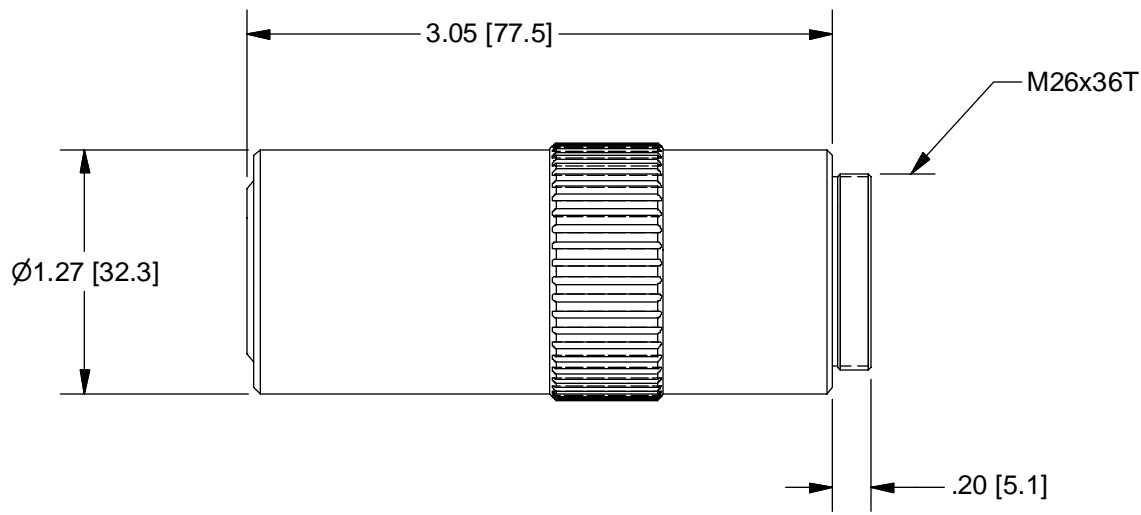

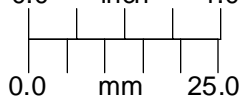
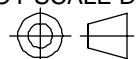


NA = 0.55
 WD = 13.0mm



OUTLINE

UNLESS OTHERWISE SPECIFIED DIMENSIONS ARE IN INCHES AND INCLUDE CHEMICALLY APPLIED OR PLATED FINISHES	THE CONTENTS OF THIS DOCUMENT ARE PROPRIETARY TO NAVITAR. ITS USE IS AUTHORIZED ONLY FOR RESPONDING TO REQUEST FOR QUOTATION OR PERFORMANCE OF WORK FOR NAVITAR							
SCALE: 1:1	0.0 inch 1.0			OBJECTIVE, 50X, M-PLAN, APO				
WEIGHT: 200 grams		<table border="1"> <tr> <td data-bbox="1396 1461 1480 1575"> SIZE A </td> <td data-bbox="1480 1461 1953 1575"> 1-60229 SHEET 2 OF 2 </td> <td data-bbox="1953 1461 2037 1575"> REV A </td> </tr> </table>				SIZE A	1-60229 SHEET 2 OF 2	REV A
SIZE A	1-60229 SHEET 2 OF 2					REV A		
DR: DJM	DO NOT SCALE DRAWING							
CH: PB								
PROJECT #:								
DATE DR: 6/23/2003								