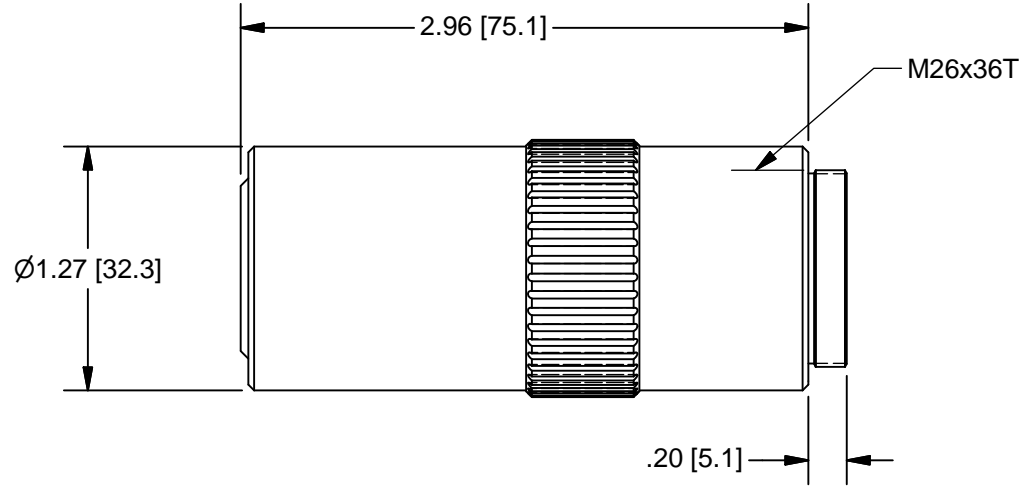


NA = 0.42
 WD = 20.0mm



OUTLINE

UNLESS OTHERWISE SPECIFIED DIMENSIONS ARE IN INCHES AND INCLUDE CHEMICALLY APPLIED OR PLATED FINISHES		THE CONTENTS OF THIS DOCUMENT ARE PROPRIETARY TO NAVITAR. ITS USE IS AUTHORIZED ONLY FOR RESPONDING TO REQUEST FOR QUOTATION OR PERFORMANCE OF WORK FOR NAVITAR			
SCALE:	1:1				
WEIGHT:	200 grams			DO NOT SCALE DRAWING	
DR:	R. PODLENA	REV			
CH:					
PROJECT #:					
DATE DR:	3/7/2003				