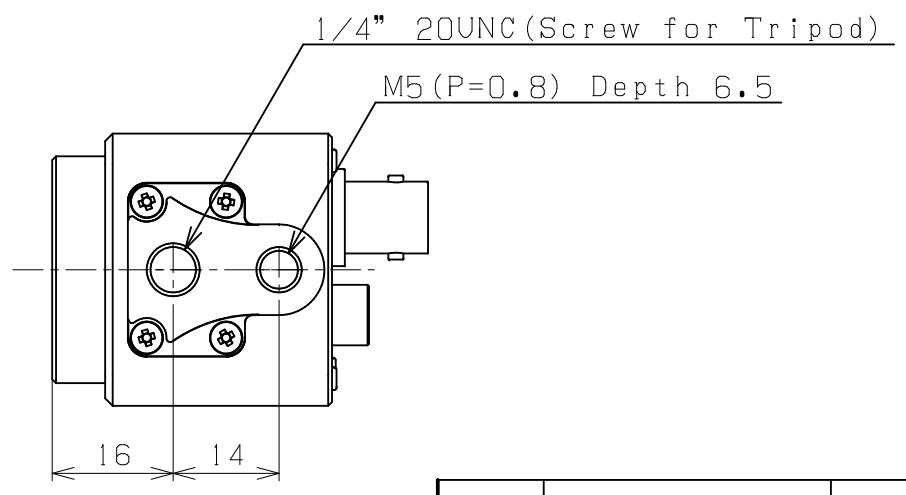
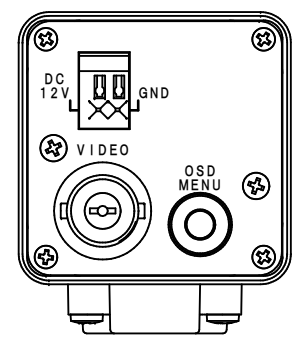
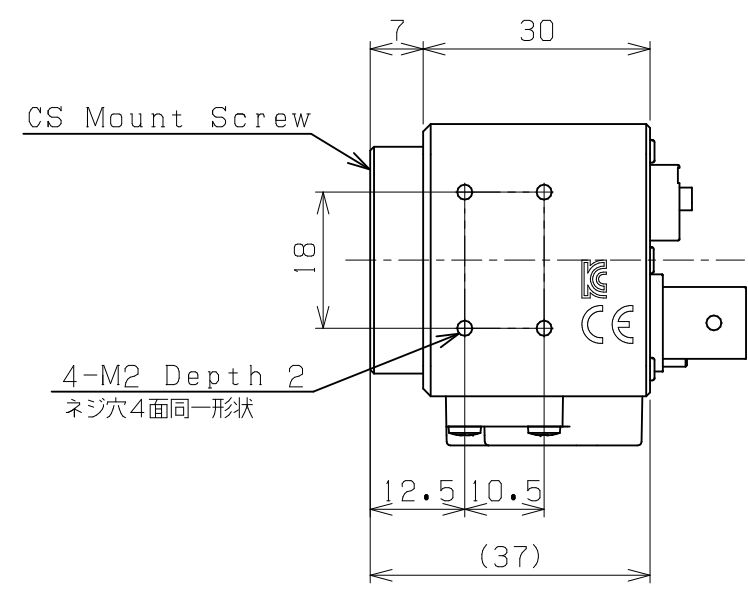
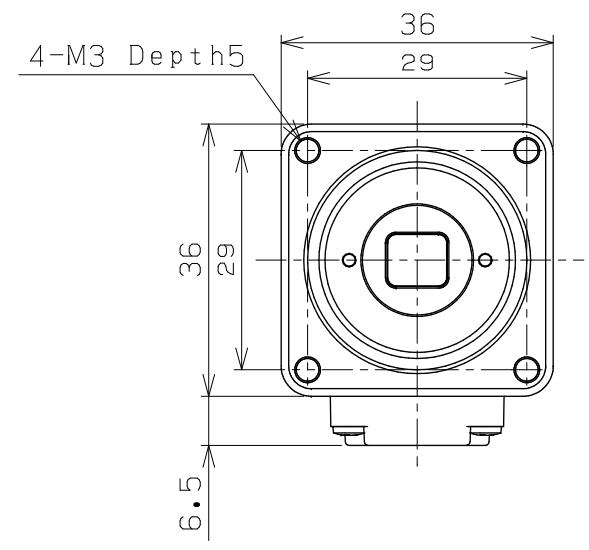
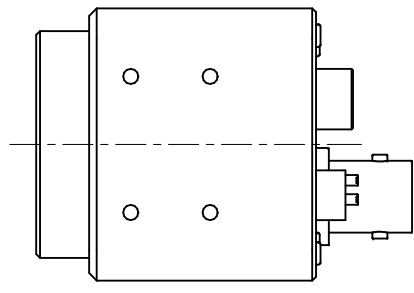


1 2 3 4 5 6 7 8

REV.	DESCRIPTION	APP.

DRAWING NO.  
KSAD012

REV.  
1.0



B  
C  
D  
E  
F

A  
B  
C  
D  
E  
F

PART NO.							TITLE		MATERIAL		SIZE		DETAIL WORKING		FINISH		QTY		FILE NAME	
APPROVALS							DATE 2018/07/17		DRAWING NO.							REV.				
APPROVED							CHECKED		STC-S133N-BT/ STC-S133P-BT							KSAD012		1.0		
DESIGNED 鈴木(祐)							DRAWN 鈴木(祐)		SCALE 1/1							UNIT mm		3RD ANGLE PROJECTION		