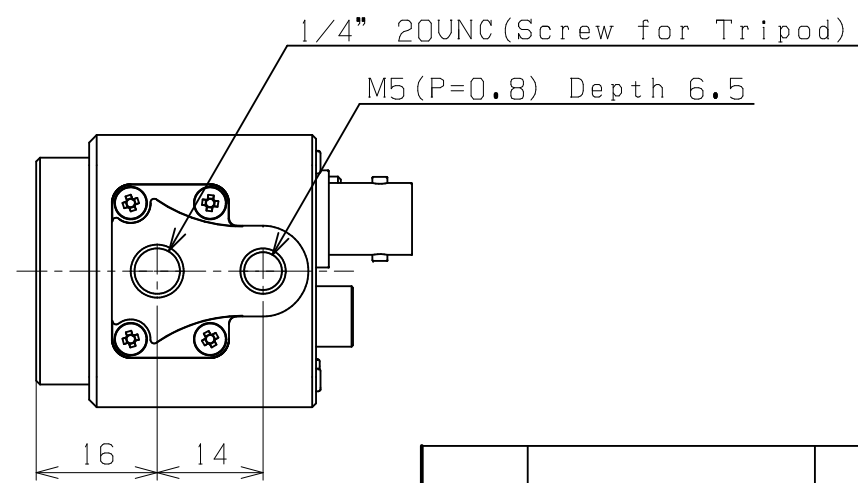
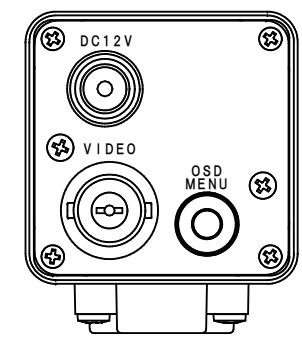
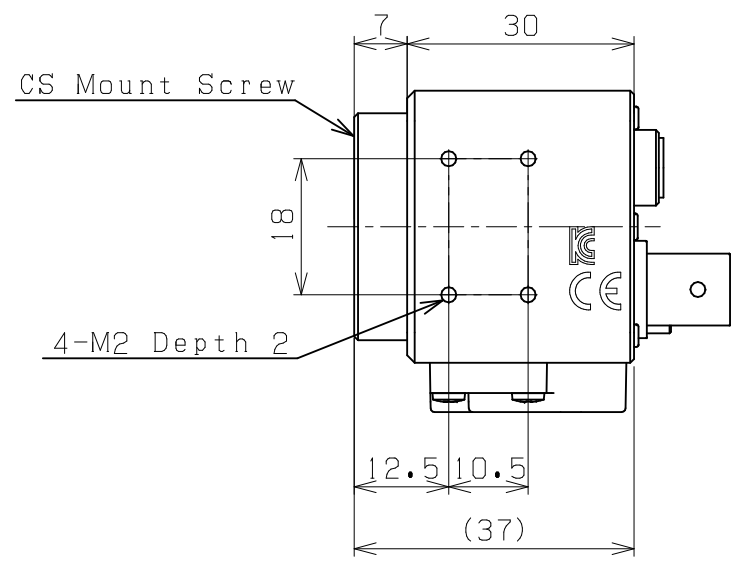
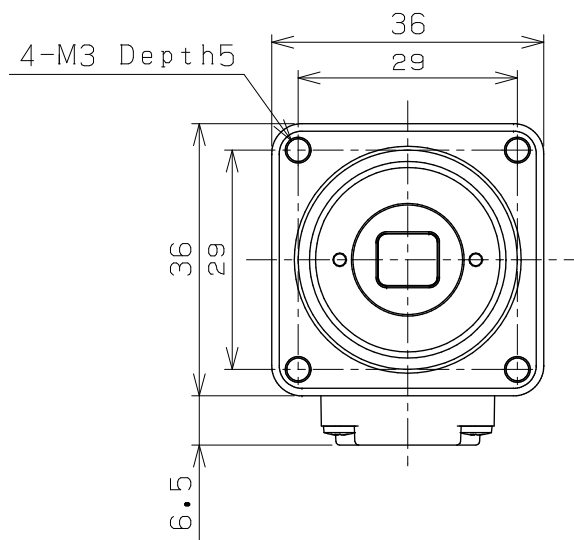
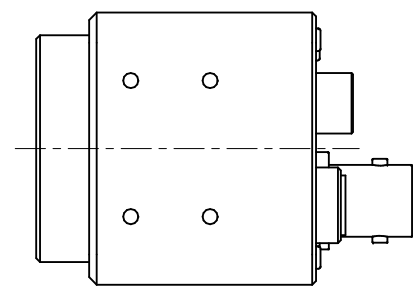


1 2 3 4 5 6 7 8

REV.	DESCRIPTION	APP.

DRAWING NO.  
KSAD013

REV.  
0.0



B  
C  
D  
E  
F

A  
B  
C  
D  
E  
F

PART NO.							TITLE		MATERIAL	SIZE	DETAIL WORKING	FINISH	QTY	FILE NAME
APPROVALS							DATE 2018/07/17		DRAWING NO.			REV.		
APPROVED							CHECKED		STC-S133N-BJ/ STC-S133P-BJ			KSAD013		
DESIGNED 鈴木(祐)							DRAWN 鈴木(祐)		SCALE 1/1			UNIT mm	3RD ANGLE PROJECTION	