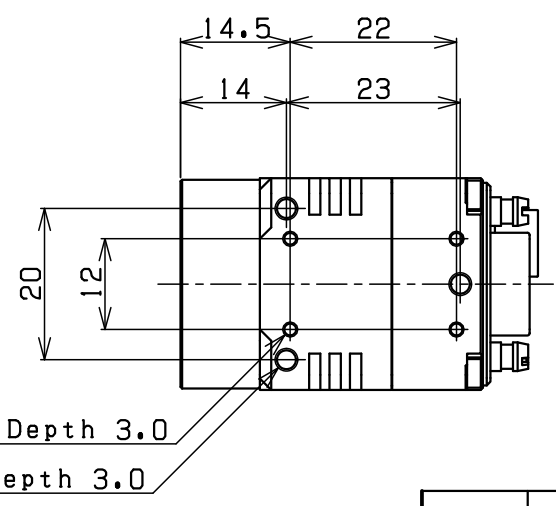
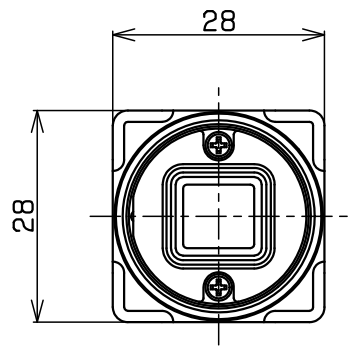
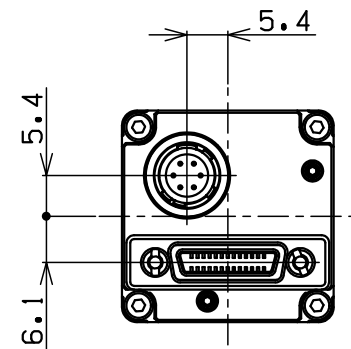
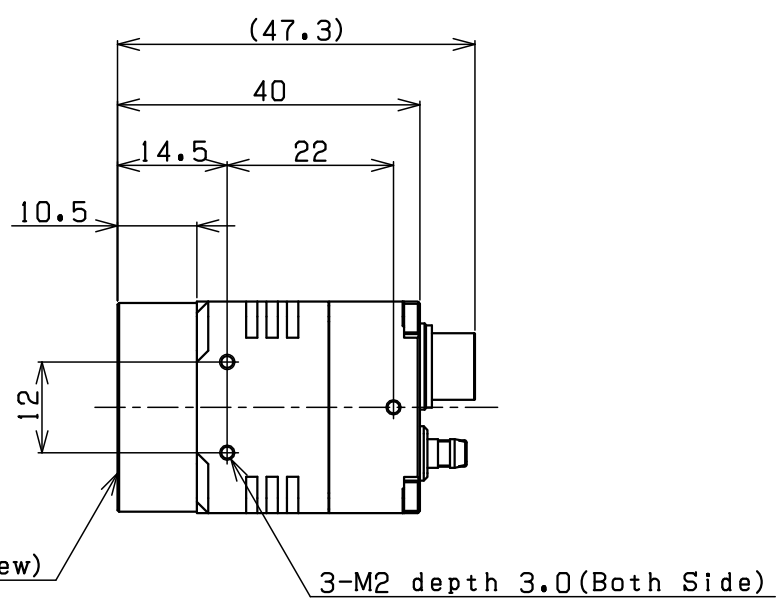
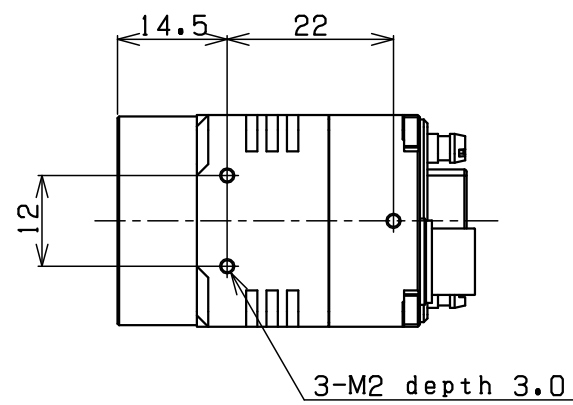
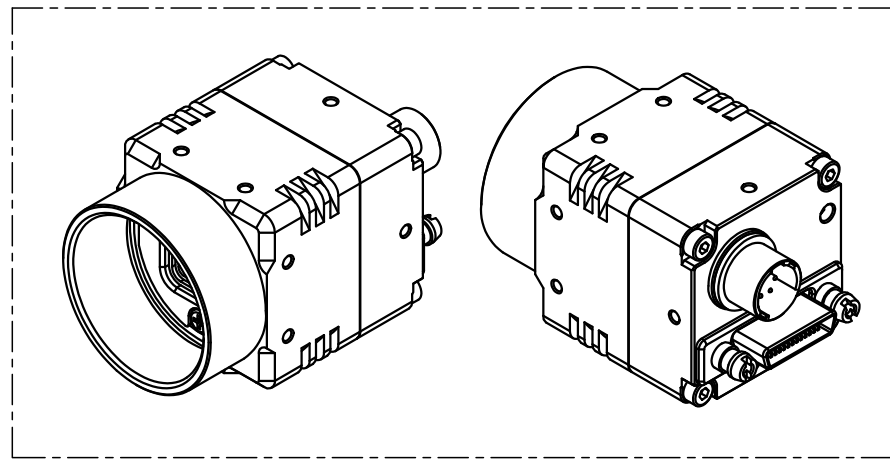


1 2 3 4 5 6 7 8

REV.	DESCRIPTION	APP.
1	15/11/17 小林	安齋

DRAWING NO.
HCBDO30
REV.
1.0



PART NO.		TITLE		MATERIAL	SIZE	DETAIL WORKING	FINISH	QTY	FILE NAME
APPROVALS		DATE 15/09/02		PCL standard C Mount type without IR			DRAWING NO. HCBDO30		REV. 1.0
APPROVED	安齋	CHECKED	安齋	SCALE 1/1			UNIT mm	3RD ANGLE PROJECTION	
DESIGNED	小林	DRAWN	小林						

B
C
D
E
F

A
B
C
D
E
F

1 2 3 4 5 6 7 8