

VZ3184R IR-MP PZFI

【SPECIFICATIONS】 2.7X motorized zoom lens for 4Mega-Pixel

Image Size : 1

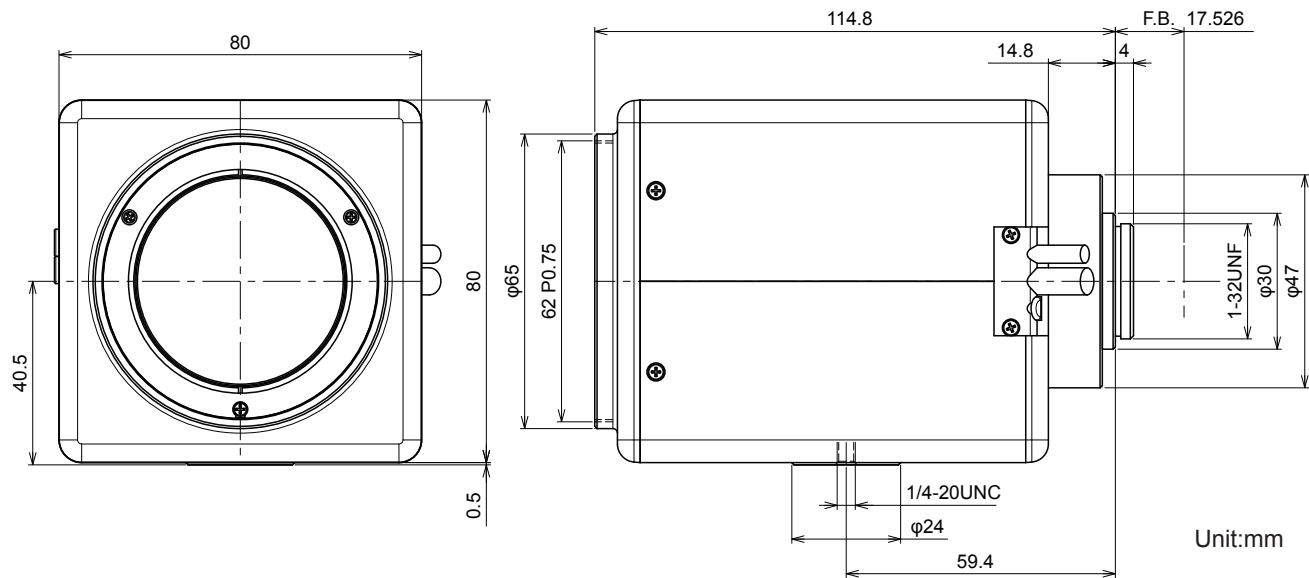
Focal Length :	31~84mm
Maximum Relative Aperture :	1:2.6
Iris :	F2.6~Close (No F drop)
Zoom Ratio :	2.7X
Angle of View :	23.6×17.7 deg. at 31mm 8.7× 6.5 deg. at 84mm
Image Size :	12.8×9.6mm(φ16mm)
Minimum Object Distance :	7m(From Front Vertex)
Resolution :	Corresponding to 5.5μm
Optical Back Focal Distance :	23.29mm(In Air)
Frang Back :	17.526mm

Flange Back :	17.526mm
Operation :	Zoom: Motorized (DC±6.4V, Max45mA) Potentiometer : 5k Ω
	Focus: Motorized (DC±6.4V, Max45mA) Potentiometer : 5k Ω
	Iris: Motorized (DC±6.4V, Max45mA) Potentiometer : 5k Ω
Operating Temperature :	-10~+50°C
Mount :	C-Mount (Adjustable Lens Position)
Filter Size :	62mm P0.75
Size :	80×80.5×114.8mm
Weight :	Approx. 710g

【COMPOSITION】

- Lens.....1
- Lens Cap.....1
- Dust Cap.....1

【DIMENSIONS】



【CIRCUIT DIAGRAM】

