

# VZ2465RDC IR-MP

**【SPECIFICATION】** 2.7X motorized zoom lens for 4Mega-Pixel

Image Size: 1

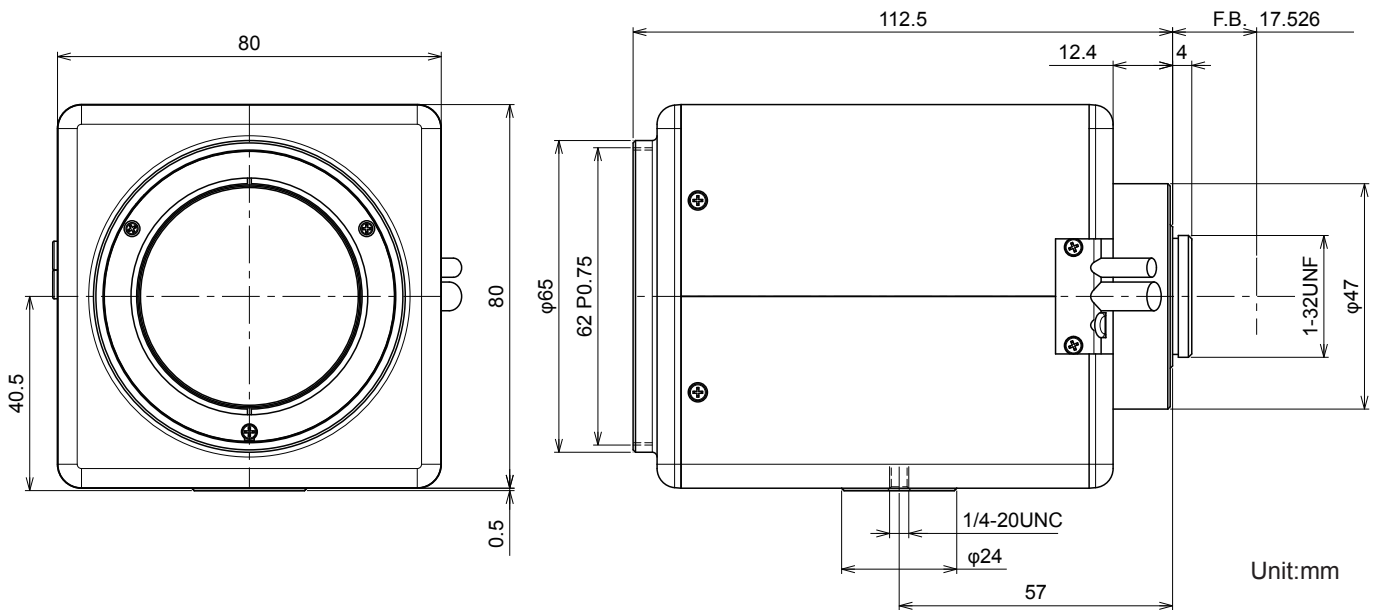
Focal Length: 24~65mm  
 Maximum Relative Aperture: 1:2.0  
 Iris: F2.0~360 (No F drop)  
 Zoom Ratio: 2.7X  
 Angle of View: 30.5×22.9 deg. at 24mm  
 11.2× 8.4 deg. at 65mm  
 Image Size: 12.8×9.6mm (φ16mm)  
 Minimum Object Distance: 7m (From Front Vertex)  
 Object Dimensions at M.O.D: 382.2×283.7cm at 24mm  
 137.0×103.0cm at 65mm  
 Resolution: Corresponding to 5.5μm

Optical Back Focal Distance: 23.29mm(In Air)  
 Frange Back: 17.526mm  
 Operation: Zoom: Motorized (DC±6.4V, Max45mA)  
 Focus: Motorized (DC±6.4V, Max45mA)  
 Iris: IG (Auto Close System)  
 Operating Temperature: -10~+50°C  
 Mount: C-Mount (Adjustable Lens Position)  
 Filter Size: 62mm P0.75  
 Size: 80×80.5×112.5mm  
 Weight: Approx. 710g

**【COMPOSITION】**

- Lens.....1
- Lens Cap.....1
- Dust Cap.....1

**【DIMENSIONS】**



**【CIRCUIT DIAGRAM】**

