

TV555M

【SPECIFICATIONS】 11X Vari Focal Lens

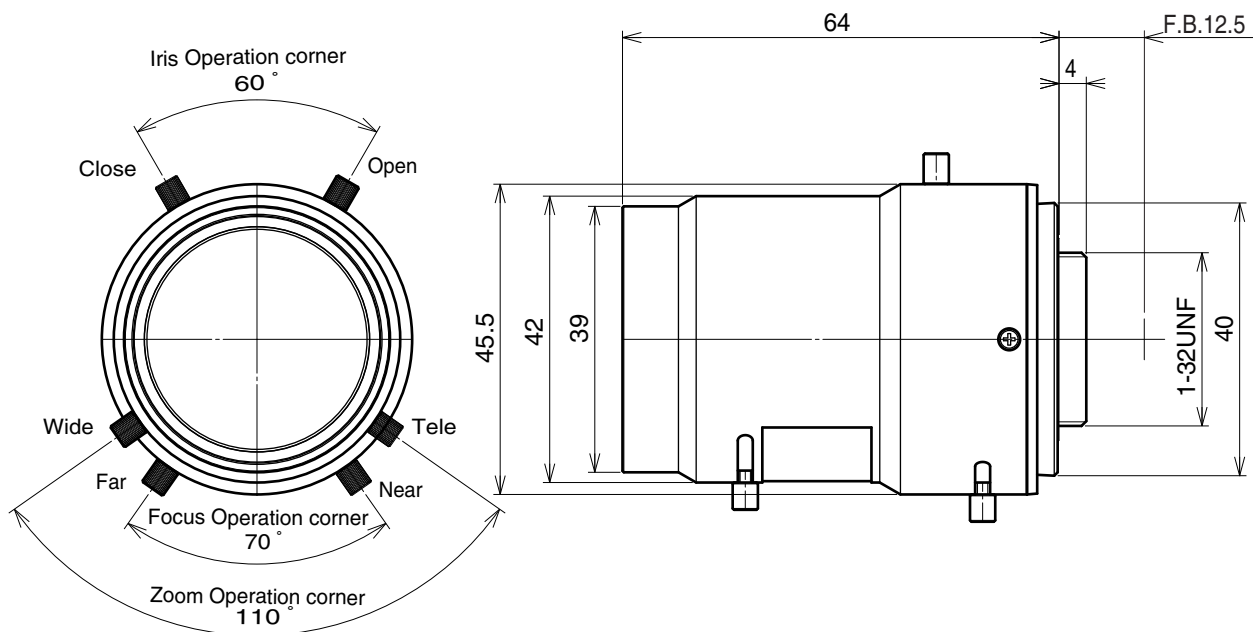
Image Size : $\frac{1}{3}$ $\frac{1}{4}$

Focal Length :	5 ~ 55mm	Optical Back Focal Distance :	More than 10.97mm (In Air)
Maximum Relative Aperture :	1:1.4	Flange Back :	12.5mm
Iris :	F1.4 ~ Close	Operation :	Focus : Manual Zoom : Manual Iris : Manual
Zoom Ratio :	11X	Operating Temperature :	-10 ~ +50
Angle of View :	53.1 × 40.0 deg. at 5mm 4.8 × 3.6 deg. at 55mm	Mount :	CS-Mount
Image Size :	4.8 × 3.6mm (6mm)	Size :	45.5 × 64mm
Minimum Object Distance :	0.3m at 5mm (From Front Vertex) 0.8m at 55mm (From Front Vertex)	Weight :	Approx .83 g

【COMPOSITION】

- Lens 1
- Lens Cap 1
- Dust Cap 1

【DIMENSIONS】



Unit:mm