

JZ1169RAI

【SPECIFICATIONS】

Image Size: $\frac{2}{3}$ $\frac{1}{2}$ $\frac{1}{3}$

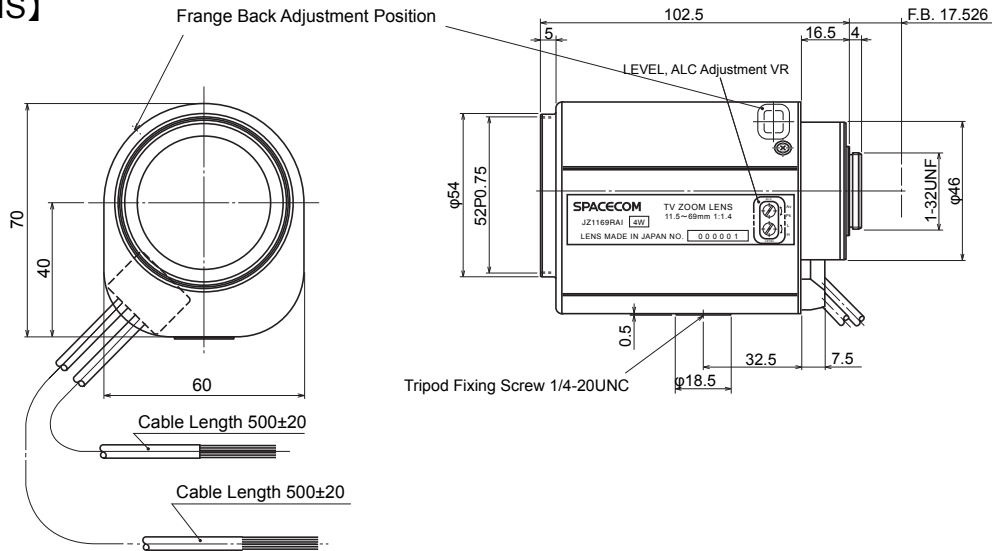
Focal Length : 11.5~69mm
 Maximum Relative Aperture : 1:1.4
 Iris : F1.4~Approx.1200
(With ND Spot Filter)
 Zoom Ratio : 6X
 Angle of View : 41.9×32.0 deg. at 11.5mm
 7.3× 5.5 deg. at 69mm
 Image Size : 8.8×6.6mm (φ11mm)
 Minimum Object Distance : 1.0m (From Front Vertex)
 Optical Back Focal Distance : 17.93mm (In Air)
 Flange Back : 17.526mm
 Input Signal : Composite Video Signal, Video Signal
 Sensitivity Adjustment : 0.5~1.0Vp-p(Image Signal)
 Photometry Range : Approx.40~70% Variable to Vp-p

Input Impedance : High Impedance
 Operation : Zoom : Motorized(DC±6.4V, Max40mA)
 Speed Approx.6sec.
 Focus : Motorized(DC±6.4V, Max40mA)
 Speed Approx.7sec.
 Iris : EE(DC+8.5 to 16V : Fixed Voltage, Max60mA)
 EE Mechanism : The built-in EE Amp amplifies the difference between the video signal from the camera and the preset Iris signal level. It causes the Iris to change size.
 Operating Temperature : -10~+50°C
 Mount : CS-Mount(Adjustable Lens Position)
 Filter Size : 52mm P0.75
 Size : 70×60×97.1mm
 Weight : Approx.500 g

【COMPOSITION】

- Lens 1
- Lens Cap 1
- Dust Cap 1

【DIMENSIONS】



【CIRCUIT DIAGRAM】

