

# JZ1169M

**【SPECIFICATIONS】 F1.4 Manual Zoom Lens**

Image Size:  $\frac{2}{3}$   $\frac{1}{2}$   $\frac{1}{3}$

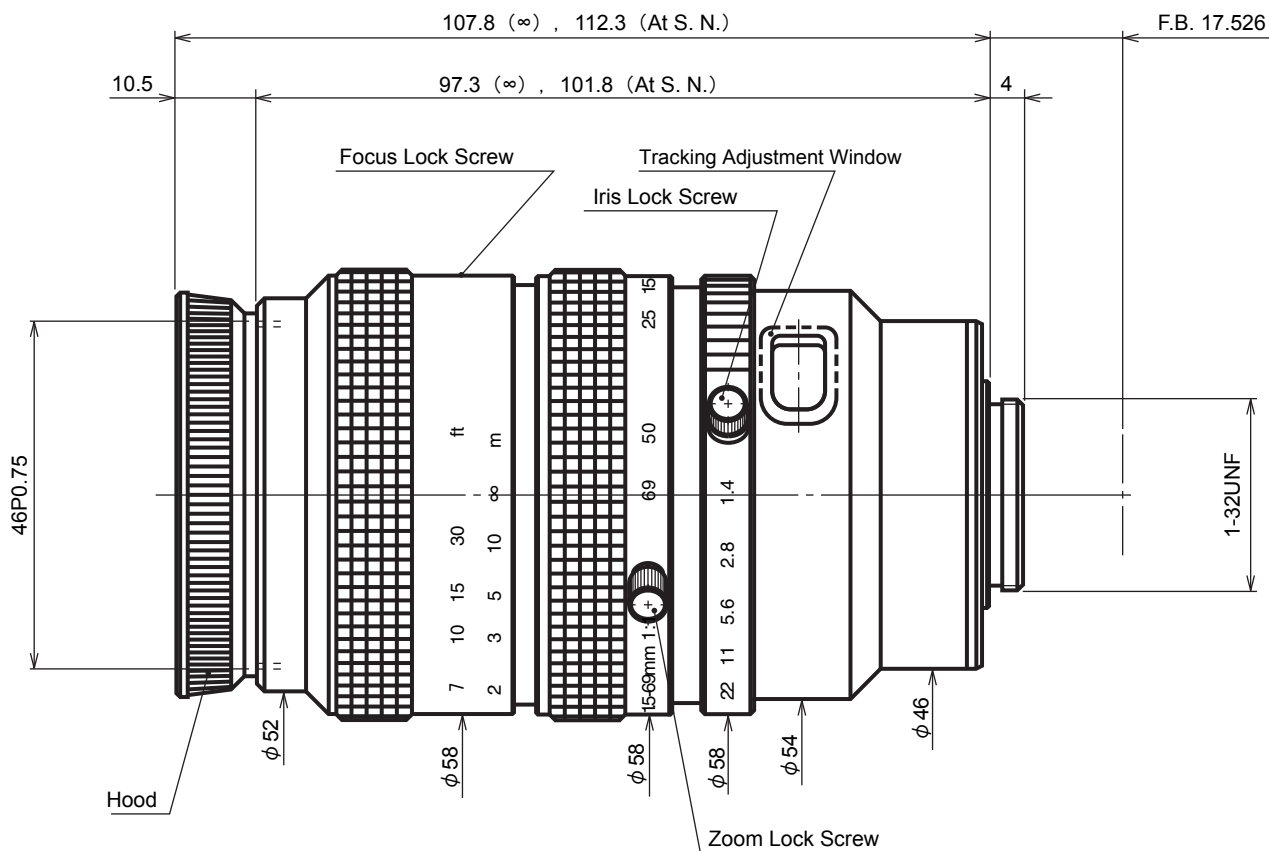
Focal Length : 11.5~69mm  
 Maximum Relative Aperture : 1:1.4  
 Iris : F1.4~Close  
 Zoom Ratio : 6X  
 Angle of View : 41.9×32.0 deg. at 11.5mm  
 7.3×5.5 deg. at 69mm  
 Image Size : 8.8×6.6mm (φ11mm)  
 Minimum Object Distance : 1.0m (From Front Vertex)  
 Close-up photography as far as Object Distance 0.5m is possible by S.N.(Service Near)function of Focus. (Partial eclipse may occur during zooming in the S.N. range with using 2/3" camera.)

Optical Back Focal Distance : 17.93mm(In Air)  
 Flange Back : 17.526mm  
 Operation : Focus : Manual  
 Zoom : Manual  
 Iris : Manual  
 Operating Temperature : -10~+50°C  
 Mount : C-Mount  
 Filter Size : 46mm P0.75  
 Size : φ58×107.8mm  
 Weight : Approx.410 g

**【COMPOSITION】**

- Lens . . . . . 1
- Lens Cap . . . . . 1
- Dust Cap . . . . . 1

**【DIMENSIONS】**



Unit:mm