

JZ1169AI

【SPECIFICATIONS】 F1.4 Manual Zoom Lens

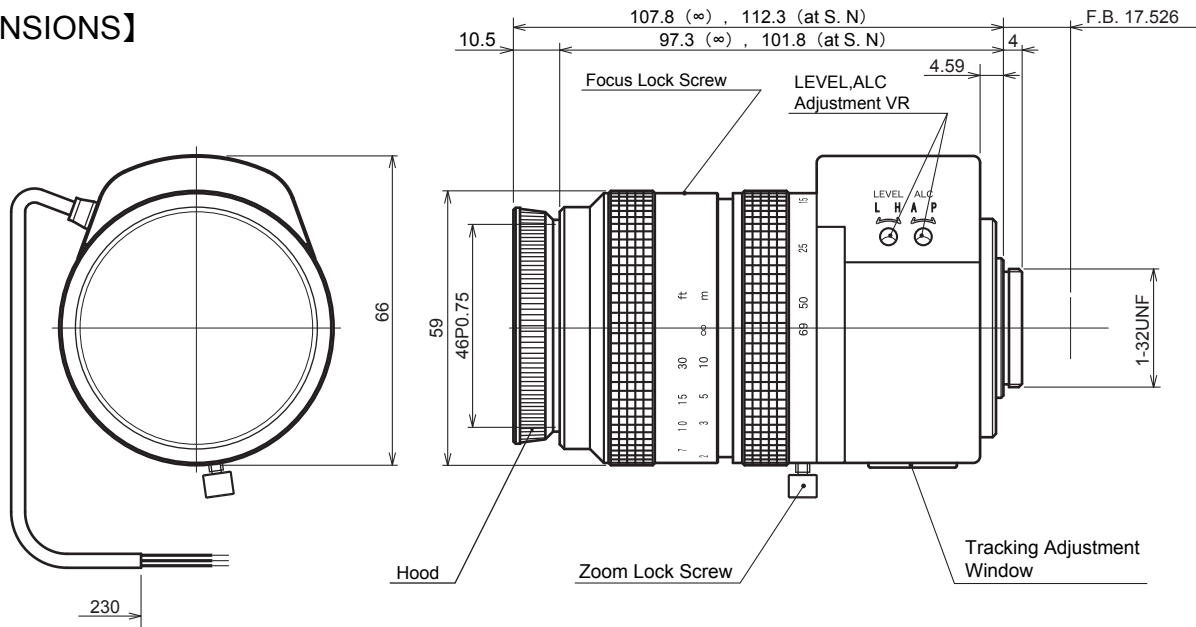
Image Size: $\text{\textcircled{2/3}}$ $\text{\textcircled{1/2}}$ $\text{\textcircled{1/3}}$

Focal Length :	11.5~69mm	Photometry Range :	Approx.40~70% Variable to Vp-p
Maximum Relative Aperture :	1:1.4	Input Impedance :	High Impedance
Iris :	F1.4~Approx.360 (With ND Spot Filter)	Operation :	Zoom : Manual Focus : Manual Iris : EE(DC+6.5 to 16V : Max40mA)
Zoom Ratio :	6X	EE Mechanism :	The built-in EE Amp amplifies the difference between the video signal from the camera and the preset Iris signal level. It causes the Iris to change size.
Angle of View :	41.9×32.0 deg. at 11.5mm 7.3×5.5 deg. at 69mm	EE Accuracy :	With Input Video Signal 0.7Vp-p Within±10% of Mean Value
Image Size :	8.8×6.6mm (φ11mm)	Operating Temperature :	-10~+50°C
Minimum Object Distance :	1.0m (From Front Vertex) Close-up photography as far as Object Distance 0.5m is possible by S.N.(Service Near)function of Focus. (Partial eclipse may occur during zooming in the S.N. range with using 2/3" camera.)	Mount :	C-Mount(Adjustable Lens Position)
Optical Back Focal Distance :	17.93mm (In Air)	Filter Size :	46mm P0.75
Flange Back :	17.526mm	Size :	66×59×107.8mm
Input Signal :	Composite Video Signal, Video Signal	Weight :	Approx.400 g
Sensitivity Adjustment :	0.3~1.0Vp-p(Image Signal)		

【COMPOSITION】

- Lens 1
- Lens Cap 1
- Dust Cap 1

【DIMENSIONS】



Unit:mm

【CIRCUIT DIAGRAM】

