

HZ8136RAI-MP2 PZF

Image Size: 1/2 1/3

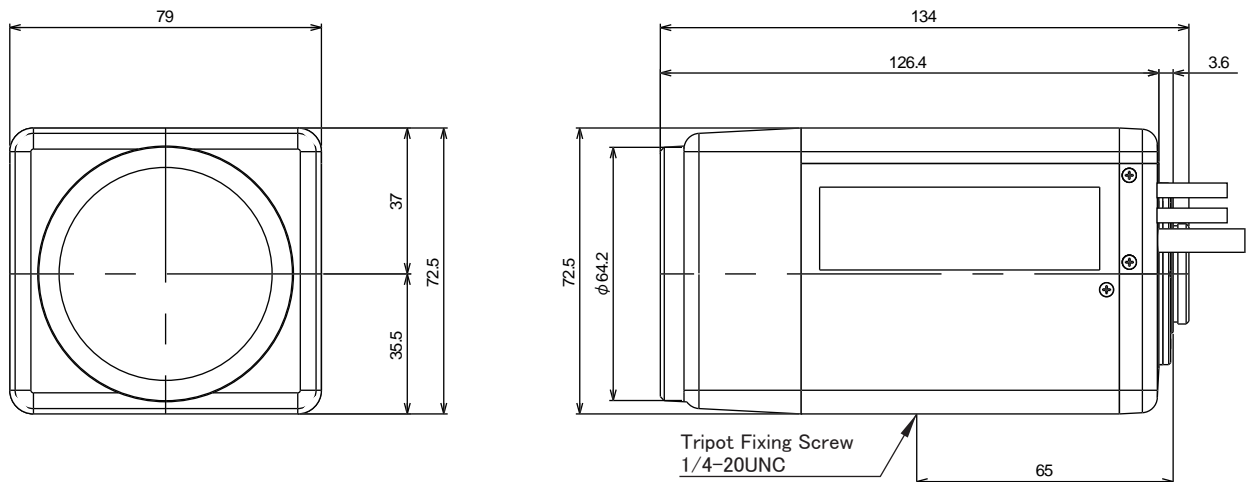
【SPECIFICATIONS】 1/2" Megapixel Motorized Zoom Lens

FocalLength:	8~136mm	Input Impedance:	High Impedance
MaximumRelativeAperture:	1:1.6	Operation:	Zoom: Motorized(DC±6.4V, Max40mA) SpeedApprox. 4 sec.
Iris:	F1.6~Approx.360	Focus:	Motorized(DC±6.4V, Max40mA) SpeedApprox. 5 sec.
Zoom Ratio:	17X	Iris:	EEPC+8.5~16V : FixedVoltage,MAX45mA)
AngleFieldof View:	43.6× 33.4 deg. at 8mm 2.7× 2.2deg. at 136mm	EEMechanism:	Thebuilt-in EEamp amplifiesthe difference between the video signalfrom the camera and the presetiris signallevel. It causeshe iris to changesize.
ImageSize:	6.4× 4.8mm (φ 8mm)	EEAccuracy:	With Input Video Signal0.7Vp-p
Minimum ObjectDistance:	1.8m(FromFront Vertex)	OperatingTemperature:	-10 to +50°C
OpticalBackFocalDistance:	19.33mm (In Air)	Mount :	C-Mount(Adjustable LensPosition)
FlangeBack:	17.526mm	FilterSize:	58mm P0.75
Input Signal:	CompositeVideoSignal,VideoSignal	Size:	79× 72.5× 130mm
SensitivityAdjustment:	0.5~1.0Vp-p(ImageSignal)	Weight:	Approx.650g
PhotometryRange:	Approx.40~70%Variableto Vp-p		

【DIMENSION】

- Lens.....1
- Lens Cap.....1
- Dust Cap.....1

【DIMENSION】



Unit:mm

【CIRCUIT DIAGRAM】

