

HD1166RP

Image Size: 2/3" , 1/2" , 1/3"

[SPECIFICATIONS]

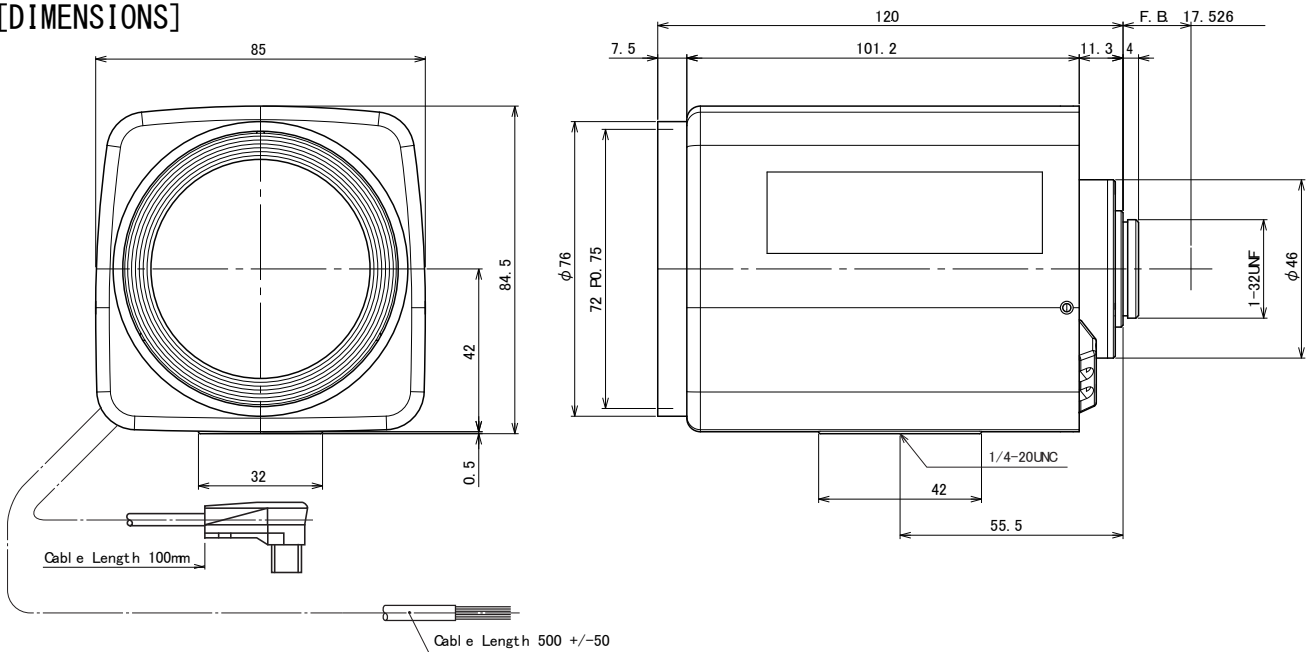
Focal Length : 11 - 66mm
 Maximum Relative Aperture : 1:1.8 (Tele End 1:1.8)
 Iris : F1.8 - Q ose
 Zoom Ratio : 6X
 Angular Field of View : 43.3 X 33.0 deg. at 11mm
 7.7 X 5.8 deg. at 66mm
 Image Format : 8.8 X 6.6mm (D11mm)
 Minimum Object Distance : 1.4m (From Front Vertex)
 Object Dimensions at M.O.D. : 111.1 X 82.9cm at 11mm
 18.8 X 14.2cm at 66mm
 Optical Back Focal Distance : 15.28mm (In Air)

Flange Back : 17.526mm
 Operation : Zoom : Motorized(DC+/-6.4V, Max40mA)
 Speed Approx. 6.5sec
 Focus : Motorized(DC+/-6.4V, Max40mA)
 Speed Approx. 6.5sec
 Iris : I G Auto Q ose System
 Q ose to Open : More than 3.0V
 Open to Q ose : Less than 0.5V
 Operation Temperature : -10 to +50 C
 Mount : C-Mount (Adjustable Lens Position)
 Front Thread : 72mm P0.75
 Size, Weight : 84.5X85X120mm Approx. 700g

[COMPOSITION]

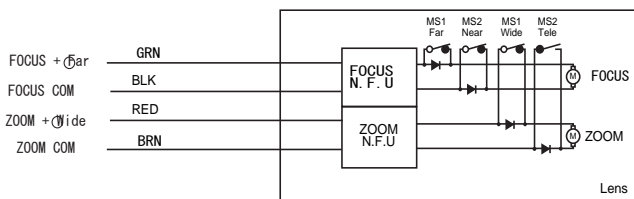
Lens 1
 Lens Cap 1
 Dust Cap 1

[DIMENSIONS]



Unit:mm

[CIRCUIT DIAGRAM]



PN NO.	lead wires color	PHASE	STEP			
			1	2	3	4
1	BLK	B	H	H	L	L
2	WHT	A	H	L	L	H
3	RED	A	L	H	H	L
4	GRN	B	L	L	H	H

※Connecting this product to a camera that does not support P-iris may cause a malfunction.